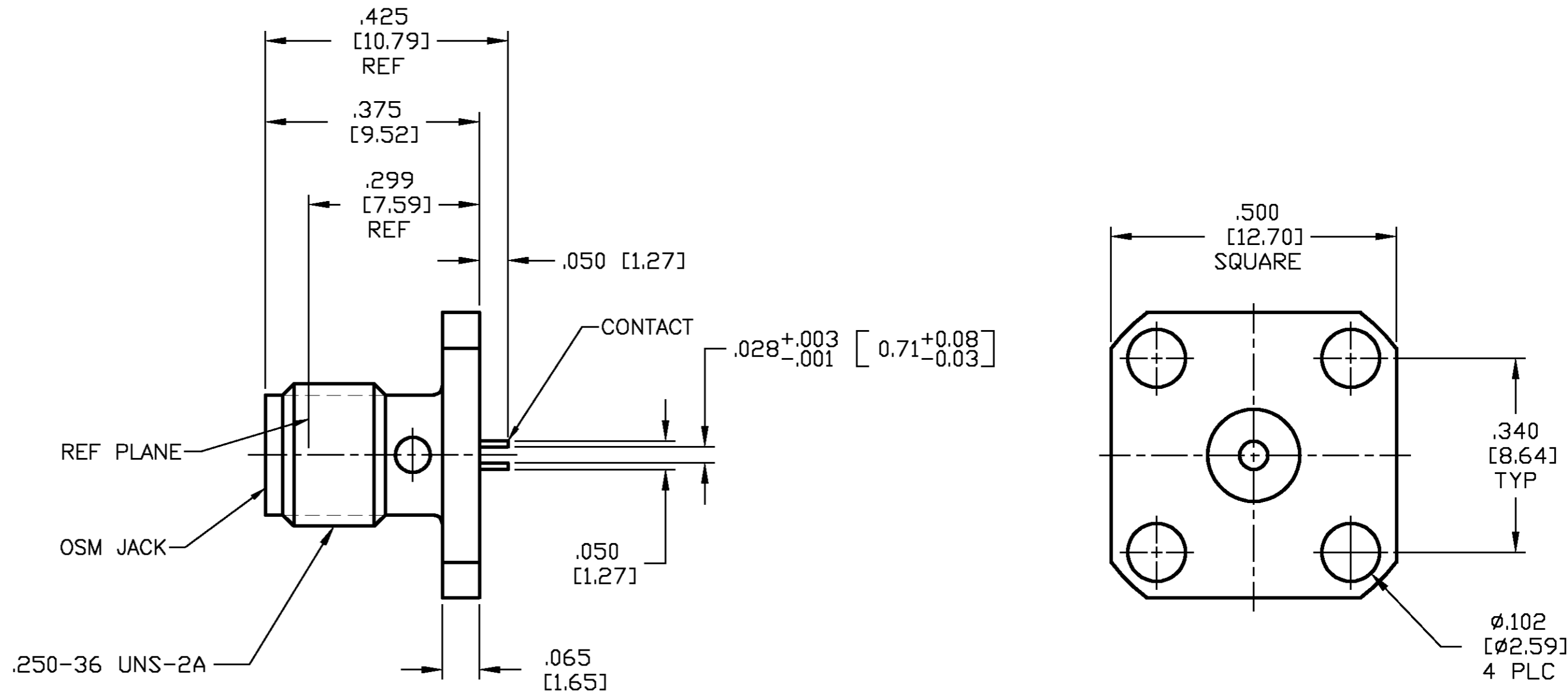


| THIS DRAWING IS UNPUBLISHED.                                      |   | RELEASED FOR PUBLICATION   |     |
|---|---|----------------------------|-----|
| © COPYRIGHT BY TYCO ELECTRONICS CORPORATION. ALL RIGHTS RESERVED. |   |                            |     |
| COMPONENT   | MATERIAL  | FINISH                     |     |
| HOUSING   | STAINLESS STEEL PER ASTM-A-484 OR ASTM-A-582 TYPE 303                   | PASSIVATED PER ASTM-A-380  |     |
| DIELECTRIC  | PTFE FLUORCARBON PER ASTM-D-1457  | -                          |     |
| CENTER CONTACT  | BERYLLIUM COPPER PER ASTM-B-196 OR ASTM-B-197 ALLOY C17300, CONDITION H | GOLD PLATED PER ASTM-B-488 |     |
| ENVIRONMENTAL   |   |                            |     |
| TEMPERATURE RATING: -65° C TO +125° C                             |   |                            |     |
| VIBRATION: MIL-STD-202, METHOD 204, CONDITION B                   |   |                            |     |
| SHOCK: MIL-STD-202, METHOD 213, CONDITION 1                       |   |                            |     |
| MOISTURE RESISTANCE: MIL-STD-202, METHOD 106: EXCEPT VIBRATION    |   |                            |     |
| CORROSION: MIL-STD-202, METHOD 101, CONDITION B. 5% SALT SPRAY    |   |                            |     |
| THERMAL SHOCK: MIL-STD-202, METHOD 107B, CONDITION B              |   |                            |     |
| MECHANICAL  |   |                            |     |
| INTERFACE DIMENSIONS: MIL-STD-348A FIG. 310.2                     |   |                            |     |
| RECOMMENDED MATING TORQUE: 7-10 IN-LBS                            |   |                            |     |
| FORCE TO ENGAGE & DISENGAGE (IN-LBS MAX): 2.0                     |   |                            |     |
| WEIGHT (GRAMS): TBD   |   |                            |     |
| MATING CHARACTERISTICS: INSERTION (MAX LBS): 3.0                  |   |                            |     |
| WITHDRAWAL (MIN OZ): 1.0  |   |                            |     |
| CABLE RETENTION: AXIAL FORCE (LBS): N/A                           |   |                            |     |
| TORQUE (IN-OZ): N/A   |   |                            |     |
| CENTER CONTACT CAPTIVATION: AXIAL (LBS): 6.0                      |   |                            |     |
| RADIAL (IN-OZ): 4.0   |   |                            |     |
| ELECTRICAL  |   |                            |     |
| NORMAL IMPEDANCE (OHMS): 50                                       |   |                            |     |
| FREQUENCY RANGE (GHz): DC TO 18                                   |   |                            |     |
| VOLT RATING @ SEA LEVEL (VRMS MAX): 335                           |   |                            |     |
| VSWR: 1.05+0.005 (fGHz)   |   |                            |     |
| INSERTION LOSS: (dB MAX): .03 $\sqrt{f(\text{GHz})}$              |   |                            |     |
| RF LEAKAGE (dB MIN): -[60-f(GHz)]                                 |   |                            |     |
| CORONA 70,000 FT (VRMS MIN): 250                                  |   |                            |     |
| DIELECTRIC WITHSTANDING VOLTAGE (VRMS MIN) AT SEA LEVEL: 1,000    |   |                            |     |
| I.R. (MEGOHMS MIN): 10,000  |   |                            |     |
| RF HIGH POTENTIAL AT SEA LEVEL (VRMS MIN @ 5 MHz): 670            |   |                            |     |
| CONTACT RESISTANCE (MILLIOHMS MAX):                               |   |                            |     |
|   |   | CENTER CONTACT:            | 2.0 |
|   |   | OUTER CONTACT:             | 2.0 |
|   |   | CABLE TO HOUSING:          | N/A |

| LOC | DIST | REVISIONS |     |             |       |     |      |
|-----|------|-----------|-----|-------------|-------|-----|------|
| DF  | X0   | P         | LTR | DESCRIPTION | DATE  | DWN | APVD |
|     |      | 0         |     | RELEASED    | 12-02 | CT  | FB   |



1663117-1  
PART NO.

|  |  |  |               |  |
|--|--|--|---------------|--|
| THIS DRAWING IS A CONTROLLED DOCUMENT. |  | DWN                                    | 12-11-02      | Tyco Electronics Corporation<br>Harrisburg, PA 17105 |
|  |  | GHK                                    | 12-11-02      |  |
|  |  | APVD                                   | 12-11-02      |  |
|  |  | NAME                                   | F. BLASICK    |  |
| DIMENSIONS: INCHES                     |  | TOLERANCES UNLESS OTHERWISE SPECIFIED: |               | PRODUCT SPEC   |
|  |  | 0 PLC                                  | ± -           | APPLICATION SPEC                                     |
|  |  | 1 PLC                                  | ± -           |  |
|  |  | 2 PLC                                  | ± -           |  |
|  |  | 3 PLC                                  | ± .010 [0.25] |  |
|  |  | 4 PLC                                  | ± -           |  |
| MATERIAL: SEE TABLE                    |  | FINISH: SEE TABLE                      |               | SIZE   |
|  |  |  |               | A2   |
|  |  |  |               | CAGE CODE  |
|  |  |  |               | 00779  |
|  |  |  |               | DRAWING NO   |
|  |  |  |               | 1663117  |
|  |  |  |               | RESTRICTED TO  |
|  |  |  |               | -  |
|  |  |  |               | SCALE  |
|  |  |  |               | 5:1  |
|  |  |  |               | SHEET  |
|  |  |  |               | 1 OF 1   |
|  |  |  |               | REV  |
|  |  |  |               | 0  |